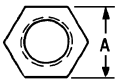

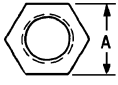


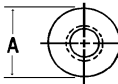

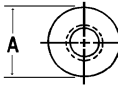
## PLUGS, BUSHINGS & SPACERS

### NYLON 6/6 SPACERS – THREADED METRIC

#### HEXAGONAL

PART NUMBER	SIZE
<b>3mm</b>	 A=6.35mm
10201	M3 X 6.35mm
10202	M3 X 9.53mm
10203	M3 X 12.7mm
10204	M3 X 15.9mm
10205	M3 X 19.0mm
10206	M3 X 22.2mm
10207	M3 X 25.4mm
<b>3.5mm</b>	 A=6.35mm
10211	M3.5 X 4.75mm
10212	M3.5 X 6.35mm
10213	M3.5 X 9.53mm
10214	M3.5 X 12.7mm
10215	M3.5 X 15.9mm
10216	M3.5 X 19.0mm
10217	M3.5 X 22.2mm
10218	M3.5 X 25.4mm
10219	M3.5 X 31.7mm
<b>4mm</b>	 A=6.35mm
10231	M4 X 6.35mm
10232	M4 X 9.53mm
10233	M4 X 12.7mm
10234	M4 X 15.9mm
10235	M4 X 19.0mm
10236	M4 X 22.2mm
10237	M4 X 25.4mm

#### ROUND

PART NUMBER	SIZE
<b>3.5mm</b>	 A=6.35mm
10251	M3.5 X 6.35mm
10252	M3.5 X 7.94mm
10253	M3.5 X 9.53mm
10254	M3.5 X 12.7mm
10255	M3.5 X 14.3mm
10256	M3.5 X 15.9mm
10257	M3.5 X 19.0mm
10258	M3.5 X 22.2mm
10259	M3.5 X 23.8mm
10260	M3.5 X 25.4mm
<b>4mm</b>	 A=7.94mm
10271	M4 X 6.35mm
10272	M4 X 9.53mm
10273	M4 X 12.7mm
10274	M4 X 15.9mm
10275	M4 X 19.0mm
10276	M4 X 22.2mm
10277	M4 X 25.4mm
<b>5mm</b>	 A=9.53mm
10281	M5 X 6.35mm
10282	M5 X 9.53mm
10283	M5 X 12.7mm
10284	M5 X 15.9mm
10285	M5 X 19.0mm
10286	M5 X 22.2mm
10287	M5 X 25.4mm