

PLUGS, BUSHINGS, & SPACERS

- 4-1 Metric Hole Plugs / Rubber Grommets
- 4-2 Taper Caps
- 4-3 Tube Plugs / Universal Bushing
- 4-4 Vinyl End Caps
- 4-5 PCB Supports
- 4-6 Tapped Spacers – Metric Round & Hex
- 4-7 Tapped Spacers / Standoffs – Metric Hex
- 4-8 Self Adhesive Bumpers

PLUGS, BUSHINGS & SPACERS

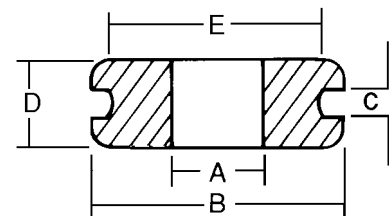
METRIC PRY OUT PLUGS

- * DESIGNED TO SNAP INTO UNUSED HOLES, CAN BE REMOVED AND REUSED AS NECESSARY.
- * MANUFACTURED IN NATURAL NYLON 6/6, CAN ALSO BE SUPPLIED IN BLACK.
- * PLUGS FEATURE A BINDER HEAD STYLE WITH A MATTE FINISH.
- * AVAILABLE IN 11 POPULAR SIZES

Part No		Mounting Hole Dia (mm)	Panel Thickness (mm)	Head Dia (mm)	Head Height (mm)
Nat.	Blk.				
41820	41840	6.0	0.8 / 1.6	10.0	2.0
41821	41841	8.0	0.8 / 3.5	12.0	2.0
41822	41842	10.0	0.8 / 3.5	14.0	2.0
41823	41843	12.0	0.8 / 3.5	16.0	2.0
41824	41844	14.0	0.8 / 3.5	18.0	2.0
41825	41845	16.0	0.8 / 3.5	20.0	2.0
41826	41846	18.0	0.8 / 4.0	22.0	2.0
41827	41847	20.0	0.8 / 4.0	26.0	2.0
41828	41848	22.0	0.8 / 4.0	27.8	2.0
41829	41849	24.0	0.8 / 4.0	28.0	2.0
41830	41850	26.0	0.8 / 4.0	30.0	2.0

RUBBER GROMMETS

Part No	"A" mm	"B" mm	"C" mm	"D" mm	"E" mm
40710	3.0	8.5	1.7	4.7	6.0
40711	5.0	10.2	1.7	4.4	7.2
40712	6.4	13.3	1.7	6.3	10.0
40716	10.5	19.5	3.4	6.4	13.9
40713	15.0	23.0	1.5	6.5	20.0
40714	18.0	31.0	1.5	8.0	25.0
40715	25.0	38.1	1.5	7.8	31.7
Closed (Blanking Grommet)					
40720	-	23.0	1.5	6.5	20.0
40721	-	31.0	1.5	8.0	25.0
40722	-	8.5	1.7	4.7	6.0
40723	-	10.2	1.7	4.4	7.2
40724	-	13.3	1.7	6.3	10.0
40725	-	19.5	3.4	6.4	13.9
40726	-	38.1	1.5	7.8	31.7

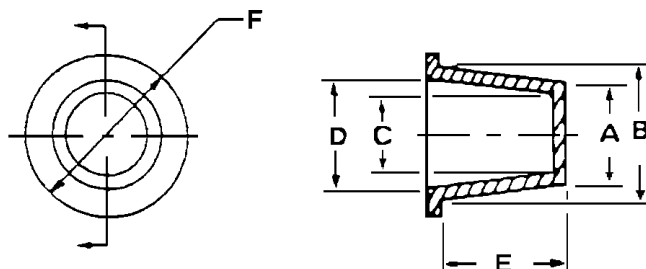


PLUGS, BUSHINGS & SPACERS

TAPER CAPS

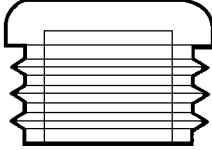
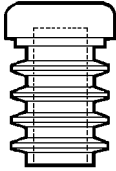
- * DESIGNED TO PROVIDE SUPERIOR PROTECTION AGAINST CONTAMINANTS
- * COST EFFECTIVE PROTECTION FOR TUBING, THREADS AND OTHER MACHINED PARTS.
- * USE AS SHIPPING AND STORAGE PROTECTORS, PAINT MASKS, DUST AND MOISTURE BARRIERS.
- * STANDARD COLOUR RED
- * LOW DENSITY POLYETHYLENE.

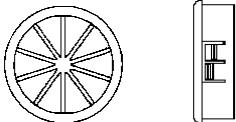
PART No	"A" mm	"B" mm	"C" mm	"D" mm	"E" mm	"F" mm
41851	2.95	4.62	1.35	3.05	9.65	7.87
41852	3.68	5.21	2.01	3.81	9.65	10.42
41853	4.39	6.10	2.82	4.50	9.65	9.65
41854	4.75	6.37	3.15	4.98	8.76	9.45
41855	5.31	6.76	3.76	5.38	8.81	11.05
41856	5.99	7.67	4.42	6.10	9.65	11.18
41857	7.59	9.27	5.97	7.67	9.65	12.70
41858	8.38	10.06	6.78	8.46	9.65	13.46
41859	9.17	10.85	7.57	9.27	9.65	14.22
41860	10.64	12.32	9.04	10.72	9.65	16.00
41861	11.96	13.89	10.39	12.32	11.18	17.53
41862	13.51	15.44	11.89	13.84	11.18	19.05
41863	13.97	16.03	12.37	14.43	11.94	19.05
41864	14.73	16.94	13.16	15.37	12.70	20.57
41865	16.26	18.47	14.68	16.87	12.70	22.35
41866	17.53	20.02	15.95	18.44	14.22	23.88
41867	19.05	21.54	17.45	19.94	14.22	25.40
41868	22.02	24.66	20.50	23.11	18.16	28.70
41869	24.49	27.69	22.89	26.09	19.05	31.75
41870	27.89	30.91	26.31	29.34	17.98	38.02
41871	29.85	32.61	28.27	31.04	16.00	36.58
41872	9.91	11.58	8.31	10.01	9.65	14.99
41873	20.70	23.62	19.13	22.05	16.00	27.69
41874	50.34	53.72	48.23	51.41	24.46	56.13



PLUGS, BUSHINGS & SPACERS

TUBE PLUGS


SQUARE INTERNAL PLUGS		<p>Designed for use with metal tubing having a wall thickness of 1.6mm.</p> 
Part No.	Fits Tube Size	
41710	1/2"	
41711	5/8"	
41712	3/4"	
41713	20mm	
41714	7/8"	
41715	1"	
41716	30mm	
41717	1 1/4"	
41718	1 1/2"	
41719	2"	
RECTANGLE INTERNAL PLUGS		
Part No.	Fits Tube Size	
41740	1" X 1/2"	
41741	1 3/8" X 3/4"	
41742	1 1/2" X 1"	
41743	50mm X 20mm	
41744	50mm X 25mm	
ROUND INTERNAL PLUGS		
Part No.	Fits Tube Size	
41761	1/2"	
41762	5/8"	
41763	3/4"	
41764	7/8"	
41765	1"	
41766	1 1/8"	
41767	30mm	
41768	1 1/4"	
41769	1 3/8"	
41770	1 1/2"	
41771	1-3/4"	
41774	3"	

UNIVERSAL BUSHING		
Part No.	Fits Hole Size	
41001	32mm	

PLUGS, BUSHINGS & SPACERS

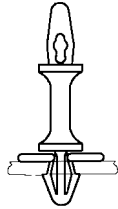
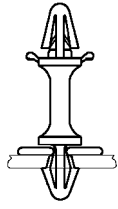
VINYL END CAPS

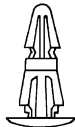
(Black)

Part No.	Dia. (mm)	Length (mm)	
41923	3.0	5.0	<p>Vinyl end caps can be used for protecting and sealing.</p> <p style="text-align: center;">Cables</p> <p style="text-align: center;">Tubes</p> <p style="text-align: center;">Wire</p> <p style="text-align: center;">Dowel</p> <p style="text-align: center;">Exposed Threads</p> 
41904	3.2	12.0	
41905	4.0	8.0	
41924	4.0	12.0	
41925	4.0	16.0	
41906	4.8	12.0	
41926	5.0	13.0	
41907	5.7	10.0	
41927	6.0	13.0	
41908	6.3	12.0	
41928	7.0	25.0	
41909	7.6	8.0	
41910	8.0	9.5	
41929	8.0	38.0	
41922	9.0	25.0	
41911	9.4	12.0	
41912	11.4	13.0	
41913	12.0	16.0	
41930	12.0	38.0	
41914	14.0	38.0	
41915	17.8	13.0	
41932	20.0	63.0	
41933	24.0	63.0	
41934	48.0	38.0	
Also available in other sizes and colours, call for details.			

PLUGS, BUSHINGS & SPACERS

PCB SUPPORTS

TENSION FIT		Maximum chassis thickness of 1.8mm. Tension Fit 
Part No.	Spacing	
10101	4.8mm	
10102	6.4mm	
10103	9.5mm	
10104	11.1mm	
10105	12.7mm	
10106	15.9mm	
10107	19.0mm	
10108	22.2mm	
10109	25.4mm	
LOCKING BARB		Locking Barb 
Part No.	Spacing	
10110	4.8mm	
10111	6.4mm	
10112	9.5mm	
10113	11.1mm	
10114	12.7mm	
10115	15.9mm	
10116	19.0mm	
10117	22.2mm	
10118	25.4mm	
For both Tension Fit & Locking Barb Mounting hole dia, in chassis is 4.8mm Mounting hole dia, in PCB is 4.0mm		Maximum PCB thickness of 1.6mm.

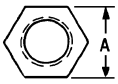

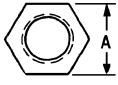
REVERSE LOCKING		Maximum chassis thickness of 1.8mm 
Part No.	Spacing	
10129	3.5mm	
10130	5.0mm	
10131	6.4mm	
10132	8.0mm	
10133	8.0mm (13mm Dia Head)	
10134	9.5mm	
10135	12.0mm	
10136	14.0mm	
10137	18.0mm	
Mounting hole dia, in chassis is 5.5mm Mounting hole dia, in PCB is 4.0mm		Maximum PCB thickness of 1.6mm. Head dia 9.5mm Head height 1.8mm

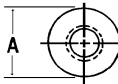

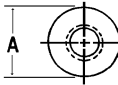
PLUGS, BUSHINGS & SPACERS

NYLON 6/6 SPACERS – THREADED METRIC

HEXAGONAL

ROUND

PART NUMBER	SIZE
3mm	 A=6.35mm
10201	M3 X 6.35mm
10202	M3 X 9.53mm
10203	M3 X 12.7mm
10204	M3 X 15.9mm
10205	M3 X 19.0mm
10206	M3 X 22.2mm
10207	M3 X 25.4mm
3.5mm	 A=6.35mm
10211	M3.5 X 4.75mm
10212	M3.5 X 6.35mm
10213	M3.5 X 9.53mm
10214	M3.5 X 12.7mm
10215	M3.5 X 15.9mm
10216	M3.5 X 19.0mm
10217	M3.5 X 22.2mm
10218	M3.5 X 25.4mm
10219	M3.5 X 31.7mm
4mm	 A=6.35mm
10231	M4 X 6.35mm
10232	M4 X 9.53mm
10233	M4 X 12.7mm
10234	M4 X 15.9mm
10235	M4 X 19.0mm
10236	M4 X 22.2mm
10237	M4 X 25.4mm

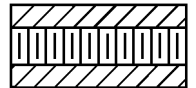
PART NUMBER	SIZE
3.5mm	 A=6.35mm
10251	M3.5 X 6.35mm
10252	M3.5 X 7.94mm
10253	M3.5 X 9.53mm
10254	M3.5 X 12.7mm
10255	M3.5 X 14.3mm
10256	M3.5 X 15.9mm
10257	M3.5 X 19.0mm
10258	M3.5 X 22.2mm
10259	M3.5 X 23.8mm
10260	M3.5 X 25.4mm
4mm	 A=7.94mm
10271	M4 X 6.35mm
10272	M4 X 9.53mm
10273	M4 X 12.7mm
10274	M4 X 15.9mm
10275	M4 X 19.0mm
10276	M4 X 22.2mm
10277	M4 X 25.4mm
5mm	 A=9.53mm
10281	M5 X 6.35mm
10282	M5 X 9.53mm
10283	M5 X 12.7mm
10284	M5 X 15.9mm
10285	M5 X 19.0mm
10286	M5 X 22.2mm
10287	M5 X 25.4mm

PLUGS, BUSHINGS & SPACERS

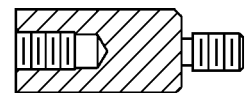
SPACERS – THREADED METRIC

HEXAGONAL

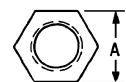
Threaded Spacer Female					
A = 5.5mm Nylon 6/6		A = 5.0mm Brass Nickel Plate		A = 7.0mm Brass Nickel Plate	
Part No	Size	Part No	Size	Part No	Size
10301	M3 x 6.0mm	10403	M3 x 5.0mm	-	-
10302	M3 x 8.0mm	-	-	-	-
10303	M3 x 10.0mm	10405	M3 x 10.0mm	10415	M4 x 10.0mm
10304	M3 x 12.7mm	10406	M3 x 12.0mm	10416	M4 x 12.0mm
10305	M3 x 15.0mm	10407	M3 x 15.0mm	10417	M4 x 15.0mm
10306	M3 x 18.0mm	-	-	-	-
10307	M3 x 20.0mm	10409	M3 x 20.0mm	10419	M4 x 20.0mm
10308	M3 x 22.0mm	-	-	-	-
10309	M3 x 25.0mm	10411	M3 x 25.0mm	10421	M4 x 25.0mm
10310	M3 x 30.0mm	10412	M3 x 30.0mm	-	-



Threaded Spacer Male / Female 3mm Thread			
A = 5.5mm Nylon 6/6		A = 5.0mm Brass Nickel Plate	
Part No	Size	Part No	Size
10351	M3 x 6.0mm	10425	M3 x 6.0mm
10352	M3 x 8.0mm	-	-
10353	M3 x 10.0mm	10427	M3 x 10.0mm
10354	M3 x 12.7mm	-	-
10355	M3 x 15.0mm	10429	M3 x 15.0mm
10356	M3 x 18.0mm	-	-
10357	M3 x 20.0mm	10431	M3 x 20.0mm
10358	M3 x 22.0mm	-	-
10359	M3 x 25.0mm	10433	M3 x 25.0mm
10360	M3 x 30.0mm	-	-



Threaded Spacer Male / Female 4mm Thread	
A=7.0mm Nylon 6/6	
10371	M4 x 10.0mm
10372	M4 x 13.0mm
10373	M4 x 15.0mm
10374	M4 x 19.0mm
10375	M4 x 25.0mm



PLUGS, BUSHINGS & SPACERS

SELF ADHESIVE BUMPERS

Part No.	Base Dia. (mm)	Height (mm)		
Round Bumpers			Molded, Self Adhesive 100% Polyurethane UI Recognized Colours Clear & Black Non-Staining Non-Marking Crack Resistant Abrasian Resistant Resists Skidding Molded, Self Adhesive 100% Polyurethane UI Recognized Colours Clear & Black White, Brown & Grey No Plasticizers No Oils Or Fillers Easy Application Two Different Adhesives 24 Hour Dwell Time Many Applications Appliances Computers Doors	
17019	6.4	1.6		
17007	7.9	2.2		
17002	8.5	2.2		
17015	9.5	3.2		
17004	9.5	3.8		
17016	9.5	4.8		
17006	9.5	5.4		
17001	11.1	5.1		
17010	12.7	1.5		
17009	12.7	3.5		
17013	12.7	3.5		
17011	12.7	6.4		
17005	15.7	7.9		
17012	16.5	10.2		
17003	17.8	9.6		
17008	19.1	1.9		
17018	19.1	4.1		
17017	19.8	5.1		
17014	20.6	3.0		
17027	22.3	10.2		
17028	46.0	15.2		
Part No.	Base (mm)	Height (mm)		
Square Bumpers				
17023	10.2 x 10.2	2.5		
17025	12.7 x 12.7	3.0		
17020	12.7 x 12.7	5.8		
17024	19.8 x 19.8	6.4		
17021	19.8 x 19.8	9.7		
17022	20.6 x 20.6	7.6		
17026	25.4 x 25.4	4.6		

