

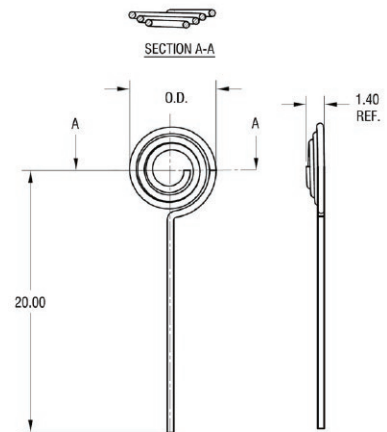
Coiled PC/Case Mount Battery Contacts, AAA

Finish/Plating: Nickel Plate
 Material: Steel
 Mounting: CASE
 Type: Contact



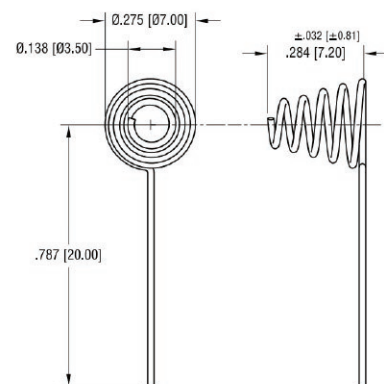
Coiled Battery Contact, Button, AAA

Part Number: K179
 # of Cells: 1
 Cell Size: AAA,787,N,12 Volt



Coiled Battery Contact, Coil Spring, AAA

Part Number: K180
 # of Cells: 1
 Cell Size: AAA,787,N,12 Volt



Coiled Battery Contact, Dual, AAA

Part Number: K181
 # of Cells: 2
 Battery Reference: 18350
 Cell Size: AAA

