

Mini Binding Post Terminals

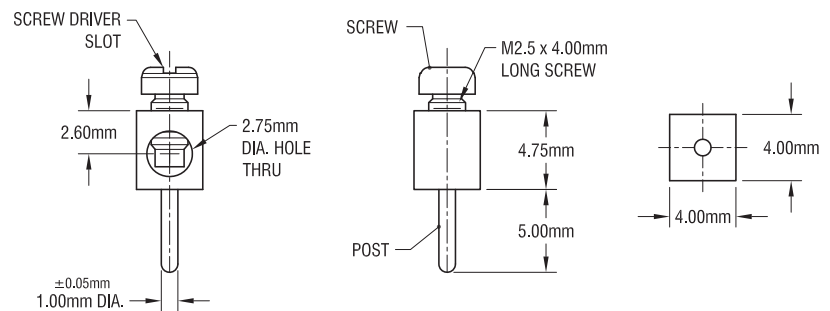
These terminals are designed for use in high density PCB packaging. They feature easy access for horizontal wire entry and are available in a horizontal or vertical screw position facilitating a broad range of wire management and design applications. Mini Binding Post screw terminals are supplied with an M2.5 threaded Zinc Plated Steel screw which is pre-installed for simplified installation.

Available Threads	4-40, 6-32, 8-32 and M2.5
Terminal Material	Brass, Tin Plate
Screw Material	Steel, Zinc Plate
Wire Contact	Phos Bronze, Tin Plate. Protects wire from screw when tightening
Current Rating	15 Amp



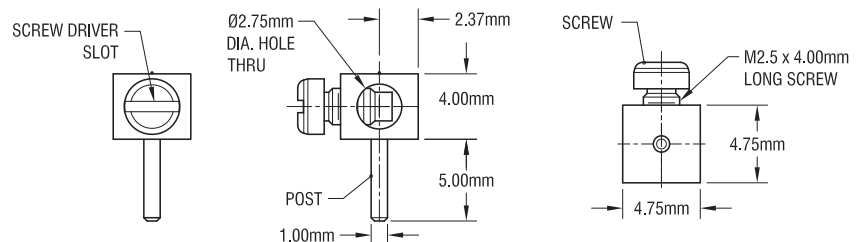
Part # K8730

Vertical orientation of lock down screw.



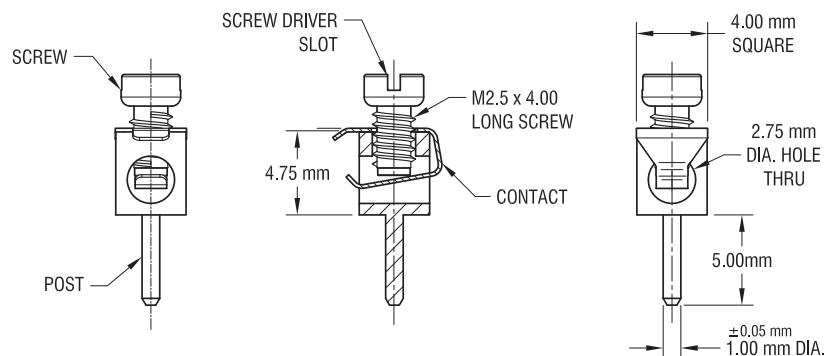
Part # K8734

Horizontal orientation of lock down screw.



Part # K8737

Vertical orientation of lock down screw with wire contact.



Also see our range of Rivet Binding Post Terminals and Spade Bolts.

