

## Vertical, Top Loading, Slim-Line 20 mm Coin Cell Holders

Vertical mount THM Coin Cell Holders which allow for top loading of the popular 2032, 2025 or two 2016 Lithium Coin cell batteries.

Designed to retain cells securely under shock and vibration, this latest holder features a flame retardant UL 94V-0 rated housing and tin plated brass contacts providing low contact resistance and simplified thru-hole mounting on PCB's.

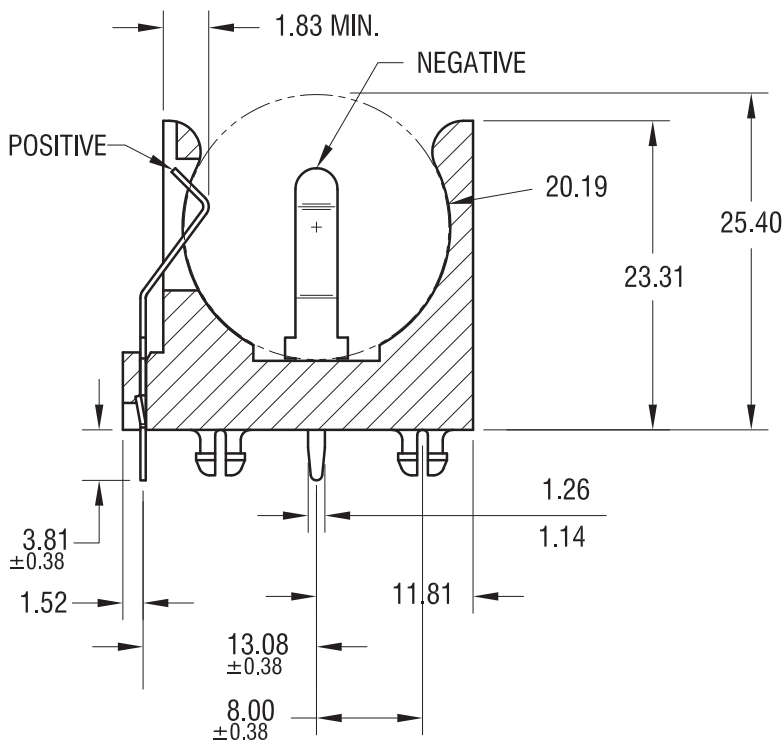
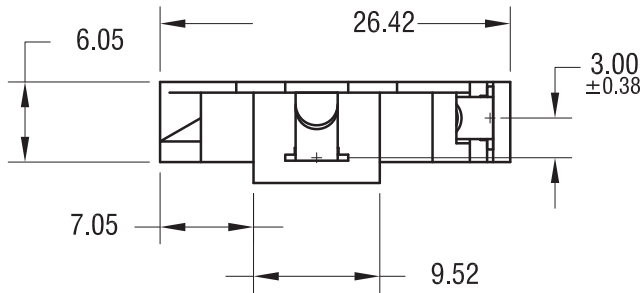
The narrow profile of the holder affords a minimal footprint for high-density PCB packages. This sturdy holder is ideal for PCB battery backup and will accept all major manufacturers' batteries.



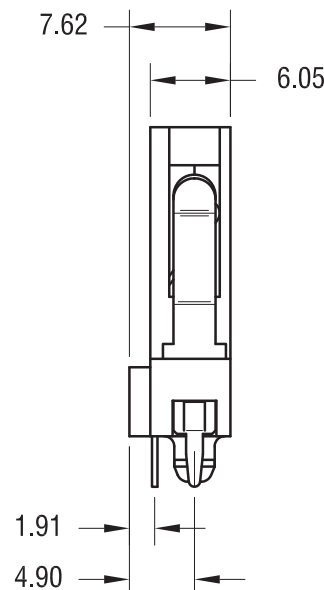
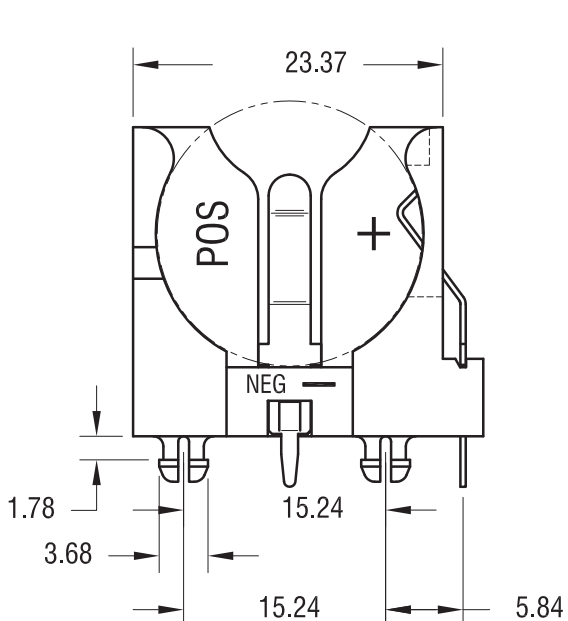
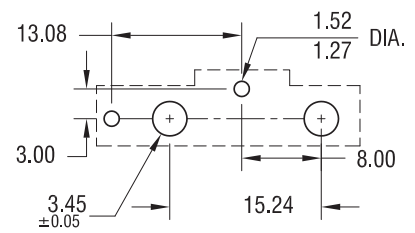
Part Number	K1074	K1065	K1067
Battery Ref.	2032, ANSI 5004LC,	2012, 2016, 2020, 2025, 2032, ANSI 5000LC	2016, 2020, 2025, 2032
Material	Nylon 6/6-V-0	PBT, UL 94V-0	PBT, UL 94V-0
Mounting	Through-Hole Mount (THM)		
Description	Vertical Mount Lithium Coin Cell Battery Holder		
Feature	Easy battery access for quick change.	Polarized for continuity and circuit protection	



## K1065 - Vertical, Top Loading, Slim-Line 20 mm Coin Cell Holder

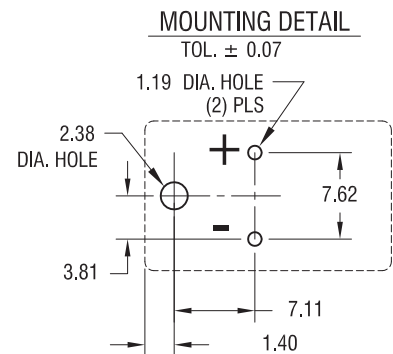
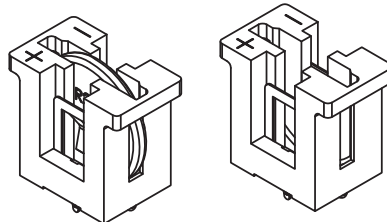
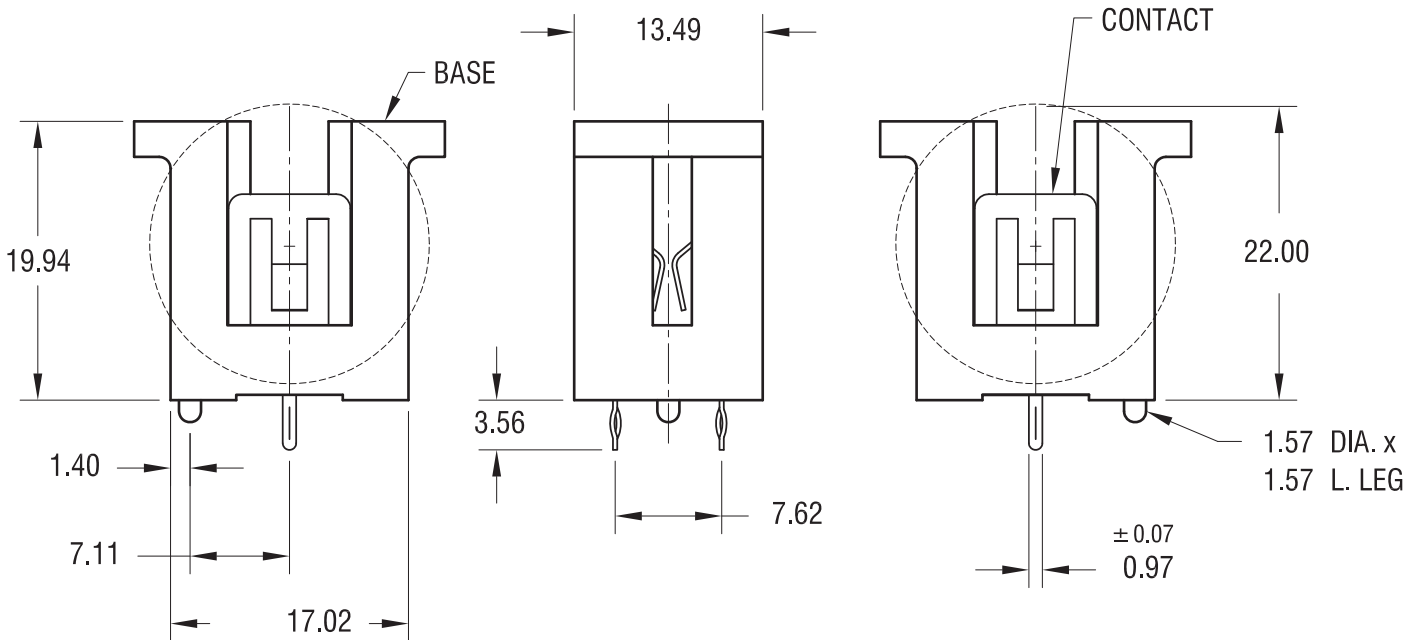
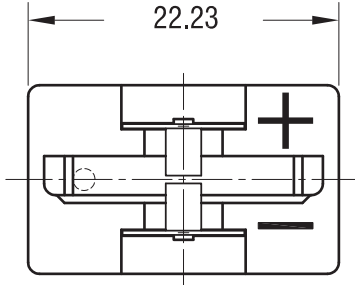


### MOUNTING LAYOUT TOLERANCE: $\pm 0.15$ UNLESS OTHERWISE SPECIFIED.





## K1067 - Vertical, Top Loading, Slim-Line 20 mm Coin Cell Holder

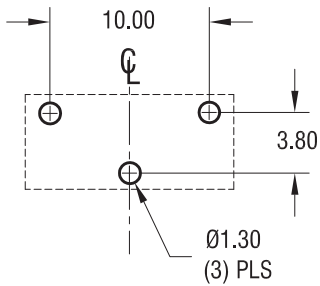


**NOTE:**

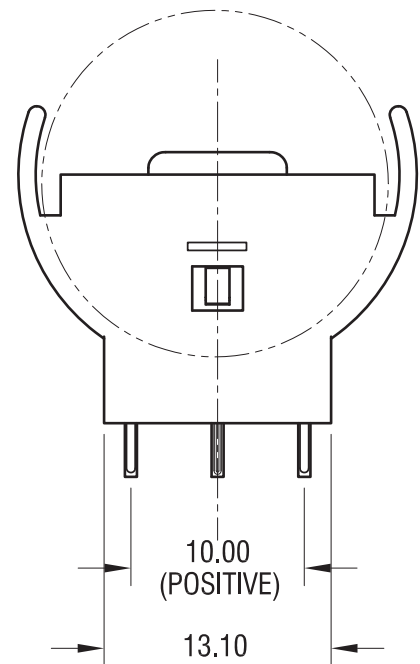
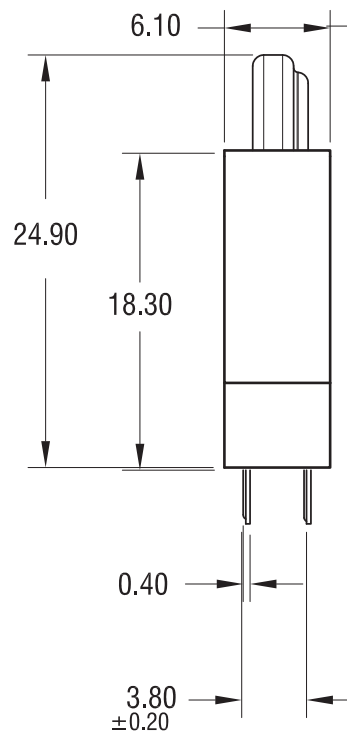
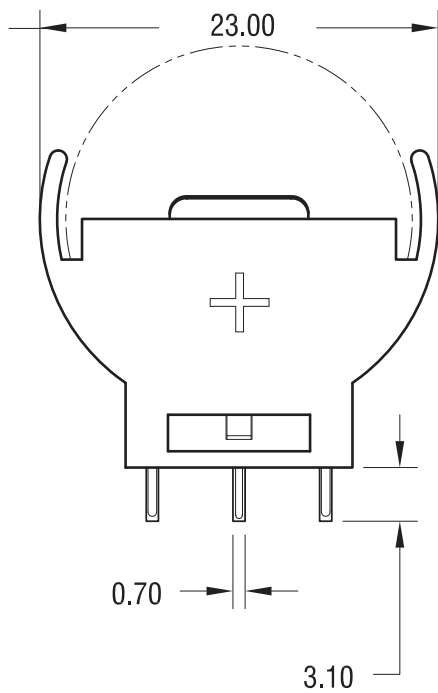
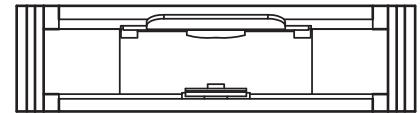
1. BASE:  
MAT'L: PBT, UL 94V-0.
2. CONTACT:  
MAT'L: 0.30 THK STAINLESS STEEL.  
FINISH: TIN NICKEL PLATE.



## MOUNTING DETAIL



## K1074 - Vertical, Top Loading, Slim-Line 20 mm Coin Cell Holder



### NOTE:

1. HOUSING: PA (BLACK COLOR), UL94-V0
2. CONTACT: MAT'L-0.25 TH'K BRASS, C2680  
FINISH-TIN PLATING