

Liquid Tight Strain Relief Bushings

The Ultimate in Snap-In Strain Relief Protection

Snap-in, Low Profile Design allows for Pre-assembled Cables

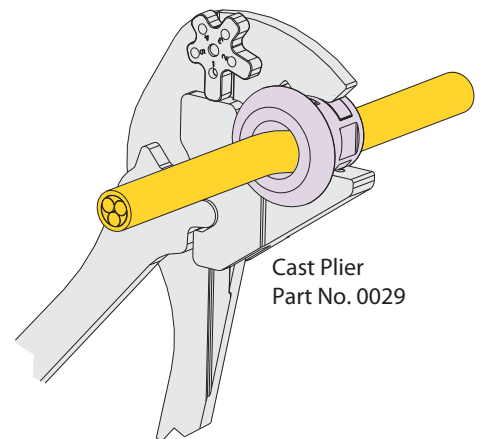
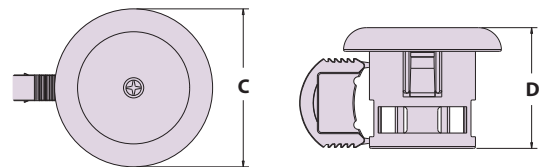


CABLE DIAMETER RANGE		PANEL DIMENSIONS		PART NO. (Black)	PART DIMENSIONS		Mounting Hole Plug Part No.
Minimum (mm)	Maximum (mm)	A Mounting Hole Dia. (mm)	Finished Fit Panel Thickness* (mm)		C Head Diameter (mm)	D Overall Height (mm)	
7.1	8.4	22.2	2.4 4.8	1063 1064	32.8	25.1	2509
8.4	11.2	22.2	2.4 4.8	1065 1066			

Standard color black.

* Maximum Panel Thickness. Part has additional clearance.

- These co-molded nylon and elastomer parts function as a Liquid Tight Strain Relief with a cable.
- cULus approved under UL 514B.
- Low profile design: height above panel is less than 4.8mm.
- Can be pre-assembled to the cable prior to installation.
- Assembles to cables with a simple hand plier for easy installation.
- Smooth, rounded interior edges for ease of installation.
- Fast and easy installation.
- Available in multiple sizes for cable diameters ranging from 7.1 mm to 11.2 mm).
- We recommend using the fitting with the smallest maximum diameter that will fit your application.
- Meet UL strain relief requirements without bending or kinking the cable.
- Special colors available.



Cast Plier
Part No. 0029

Material	Nylon 6/6 w/TPE Top
Certifications	Listed under Underwriters' Laboratories File E51579
Flammability Rating	94V-0
Temperature Range	-40°C to 100°C
IP Rating	IP 65, 66, 67 and 68 (IP 68 is 25psi for 24hrs)

Please Note: This range is newly released. Please check stock levels before ordering.