

Threaded Rod



Our versatile nylon threaded rod has threads along its entire length and is available in 1m. lengths.

It is easily cut to size, resistant to most chemicals, electrically insulating, nonmagnetic, light-weight, low thermal conductivity, vibration and abrasion resistant.

Additional sizes are also available. Call us to tell us what you need.

| | |
|---------------------|----------------|
| Temp. Range: | -30°C to +50°C |
| Material: | Nylon 6.6 |
| Colour: | Natural |

| Part No. | Size |
|-------------|------|
| 38M030050TR | M3 |
| 38M040070TR | M4 |
| 38M050080TR | M5 |
| 38M060100TR | M6 |
| 38M080125TR | M8 |
| 12047 | M10 |
| 12048 | M12 |
| 12049 | M16 |
| 12051 | M20 |
| 12053 | M24 |

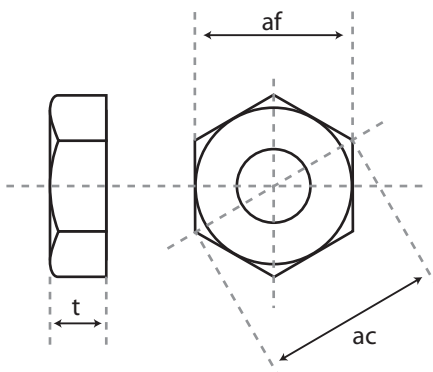
New Hex Nuts (M16, 20 & 24)



Nylon hex nuts are suitable for use where insulation and corrosion resistance is required. These hex nuts are suitable for high voltage assemblies and electronic applications.

The durable nylon construction makes them lightweight, non-magnetic, non-corrosive, non-toxic, non-flammable, non-abrasive and non-conductive.

Below are newly listed larger sizes. Additional sizes are also available (M3 - M12). Call us to tell us what you need.



| | |
|---------------------|----------------|
| Temp. Range: | -30°C to +50°C |
| Material: | Nylon 6.6 |
| Colour: | Natural |

| Part No. | Size | t (mm) | af (mm) | ac (mm) |
|----------|------|--------|---------|---------|
| 12050 | M16 | 13 | 24 | 27 |
| 12052 | M20 | 16 | 30 | 34 |
| 12054 | M24 | 19 | 36 | 40 |