

5.8mm Dia. Coin Cell Retainers

These miniature button cell retainers are suited for most power watches, toys, calculators, remotes, portable medical devices and others utilising high density PCB packaging.

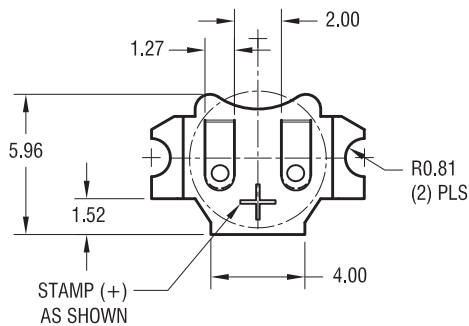
They are engineered with reliable spring tension to assure low contact resistance while firmly securing the battery within the retainer.

This new surface mount micro retainer accepts all 5.8mm diameter lithium and silver oxide batteries from all major manufacturers and is compatible with all soldering and reflow operations. Importantly these retainers are manufactured of Phosphor Bronze with solder tails located outside of retainer body to facilitate visual inspection of solder joints.

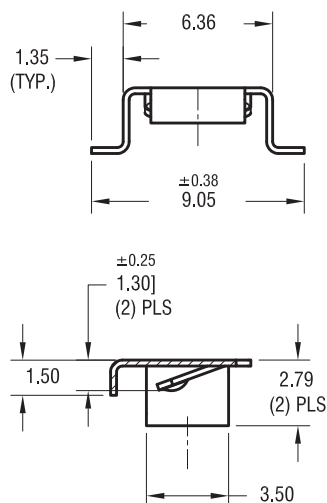
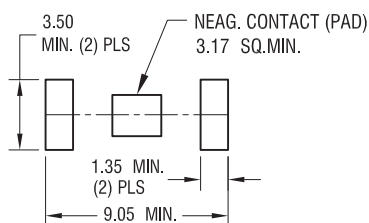
A Tin-Nickel plating accommodates both lead free and low temperature reflow soldering and they are compatible with most vacuum and mechanical pick and place assembly systems.



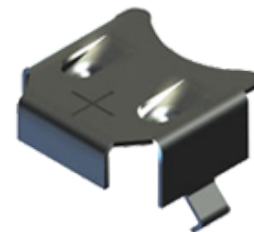
**K2986 &
K2986TR (SMT)**



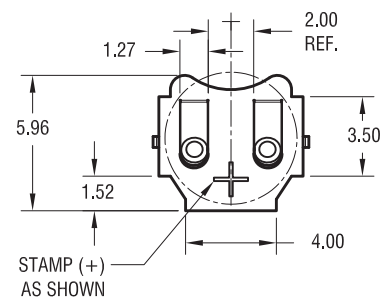
MOUNTING PAD LAYOUT



Units (mm)



K2987 (THM)



MOUNTING LAYOUT

