

SMT (Auto-In/Ultra-Low) Holder for 2032 Cell

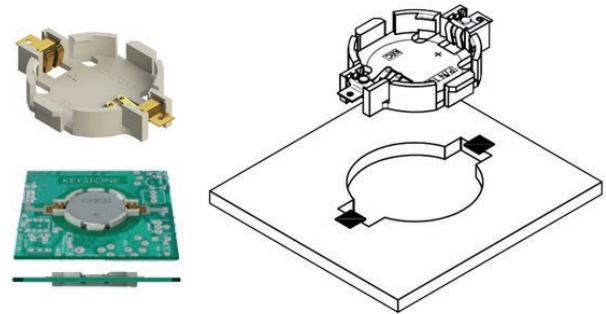
When circuit board height is a critical design parameter, Keystone offers a solution with an ultra-low profile holder for the #2032 Lithium Coin Cells.

These ultra low profile holders rise only 2 mm above the PCB surface and are ideal for retaining cells securely under shock and vibration in high-density applications for PCB requirements.

The dramatic reduction in the height of the holder on a circuit board is achieved by the unique method of partially mounting the holder thru a hole in the PCB, allowing the holder to sit through the PC board.

Built-In, stabilization tabs in the LCP housing add mounting security while gold plated contacts assure increased PCB and solder joint mounting strength.

Part #: K1057 (bulk)
or **K1057TR** (tape & reel packaging)



- # of Cells: 1
- Battery reference: 2032
- Cell size: 20 mm coin cell
- Material: Glass filled LCP, UL 94V-0
- Contacts:
 - Material: 0.2 mm phosphor bronze
 - Finish: Gold flash over nickel plating
- Mounting: SMT
- Ultra low profile design
- Mounts partially thru PCB
- 2 mm height above PCB surface
- Built In stabilization tabs for added mounting security
- Available on tape & reel

