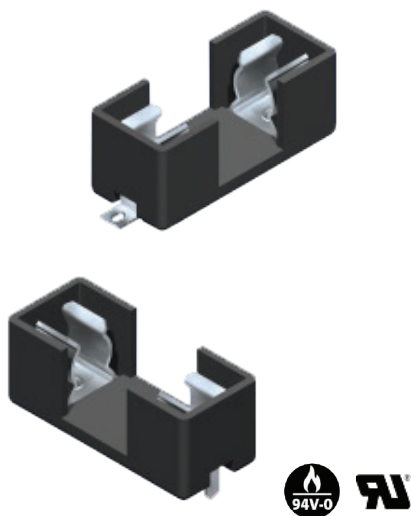


Midget - (SPF) Solar Protection Fuse (5AG) Fuse Holder-THM and Optional Cover

Our selection of PCB Mounted Fuse Holders has expanded to include a series intended specifically for photovoltaic (PV) systems.

The new fuse holders are exclusively designed to accommodate the family 5AG, midget fuses (10x38mm) in the (Keystone) SPF Solar Protection Fuse series.

Rated for up to 30 Amps, 1,000 VDC operation, these holders, in conjunction with the SPF fuses, are a cost-effective solution to safely protect PV modules and their conductors from reverse overcurrent conditions. Manufactured to protect and insulate SPF fuses, (part # K3576 is supplied in durable UL 94V-0 Nylon with tin plated brass contacts to enable low contact resistance and superior life. There is an optional cover for the holder, (part # K3576C) as well.



Midget - (SPF) Solar Protection Fuse (5AG) Fuse Holder-THM

Part Number:	K3576
# of Fuses:	1
Current Rating:	30 Amps
Fuse Entry:	Vertical
Fuse Size:	5AG / SPF
Fuse Type:	Cylindrical
Material:	Brass-Tin Plate, Nylon 94V-0
Mounting:	THM
Style:	HOLDER
UL Recognized:	Yes - (USA & Canada) E354010



Midget - (SPF) Solar Protection Fuse (5AG) - Optional Cover

Part Number:	K3576c
Fuse Type:	Cylindrical
Material:	Nylon 6/6