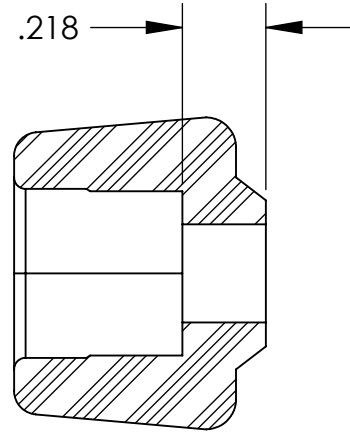
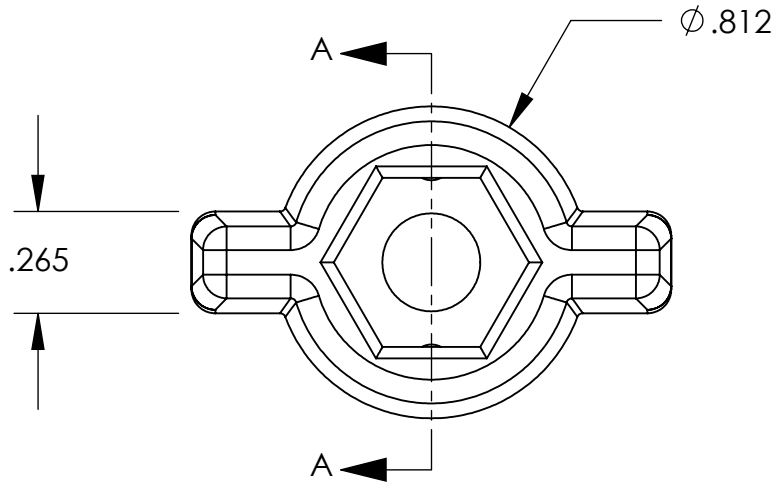
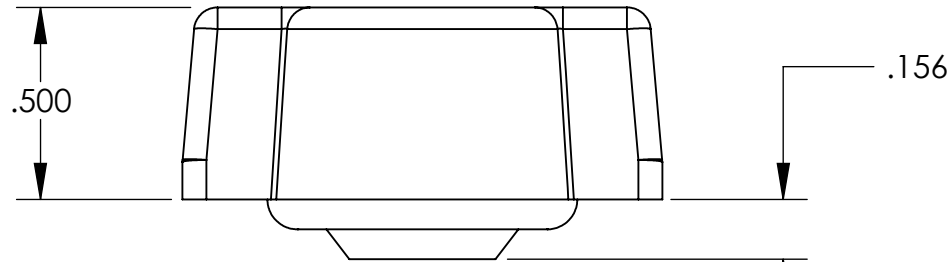


UNCONTROLLED DOCUMENT



SECTION A-A

NOTES:
 TO FIT WITH A STEEL 1/4 - 20
 HEX CAP SCREW AND A 1/4 - 20
 STEEL HEX NUT.
 ALL DIMENSIONS ARE REF.



TOLERANCES UNLESS NOTED

- ±.005 ON DIMENSIONS THRU .625
- ±.008 ON DIMENSIONS .626 THRU 1.000
- ±.010 ON DIMENSIONS 1.001 THRU 1.500
- ±.015 ON DIMENSIONS LARGER THAN 1.500
- ±.015 ON FRACTIONAL DIMENSIONS

WE RESERVE THE RIGHT
 TO DISCONTINUE ITEMS,
 CHANGE SPECIFICATIONS
 OR DESIGN AT ANY TIME
 WITHOUT NOTICE AND
 WITHOUT INCURRING
 ANY OBLIGATIONS

PROPERTY OF		
MICRO PLASTICS INC.		
CATALOG DRAWING WING THUMB SCREW KNOB MICRO P/N 29WN014N DWG. # 29WN014N FILE SERVER\ENG\WEB		
MATERIAL:		NYLON 6/6
DATE	SCALE	DB
	2:1	