

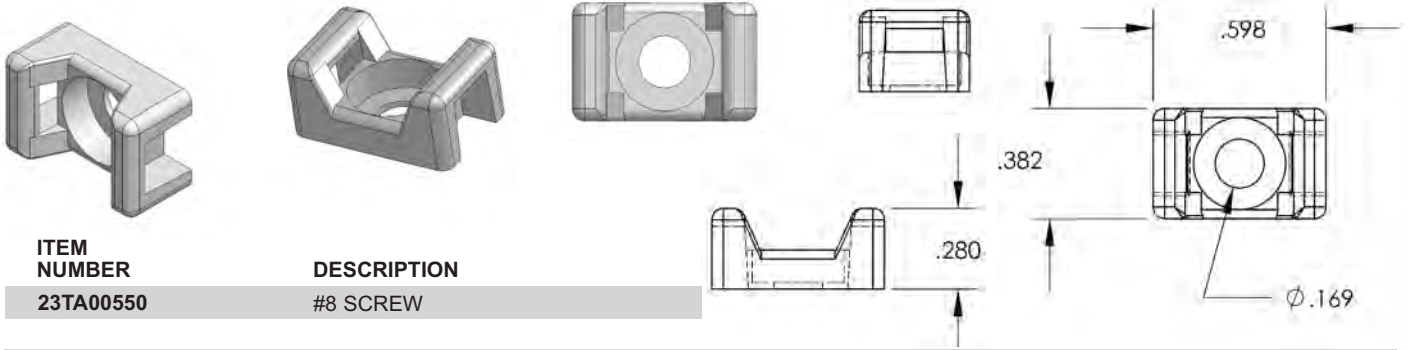
WIRE HANDLING HARDWARE

SECTION
VII

CABLE TIE HOLDER

Molded in **Natural Nylon 6/6**

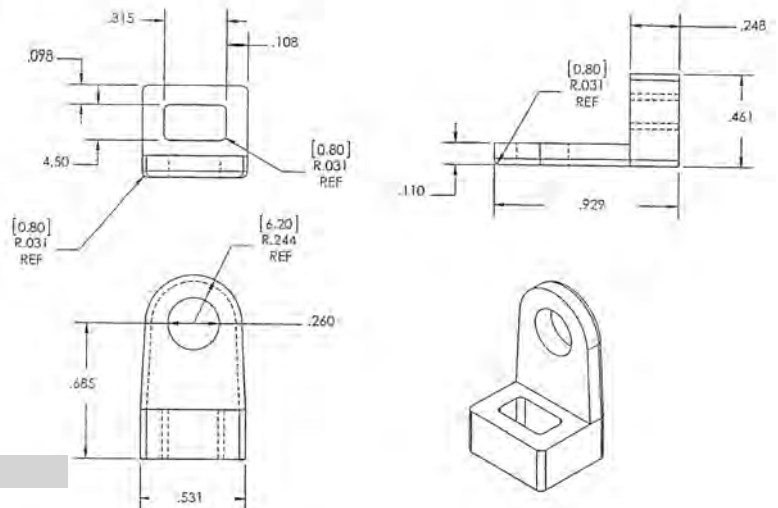
Screw mount tie holder offers a two way entry and is secured with a mounting screw.



ITEM NUMBER	DESCRIPTION
23TA00550	#8 SCREW

CABLE TIE HOLDER

Molded in **Natural Nylon 6/6**

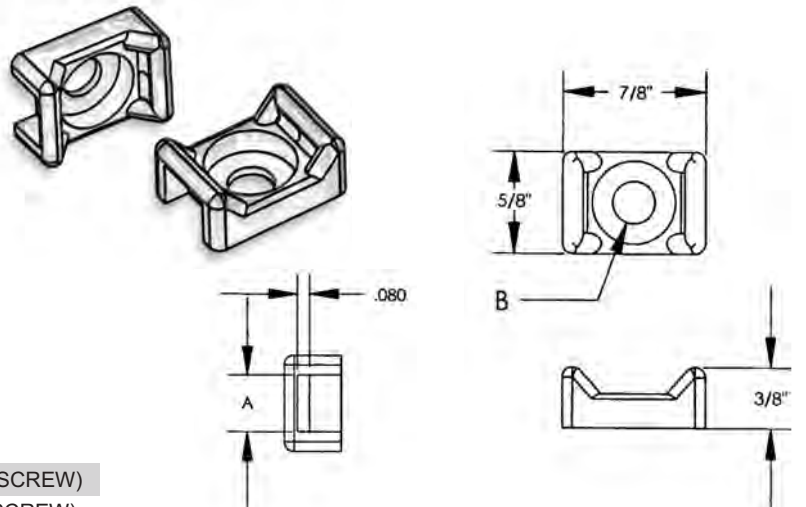


ITEM NUMBER	DESCRIPTION
23TA40260	1/4-20 SCREW

CABLE TIE HOLDER

Molded in **Natural Nylon 6/6**

Screw mount tie holder offers a two way entry and is secured with a mounting screw.



ITEM NUMBER	A REF.	B
23TA00600	.370 (9,40)	.260 (6,60) (1/4-20 SCREW)
23TA00700	.370 (9,40)	.195 (4,95) (10-32 SCREW)